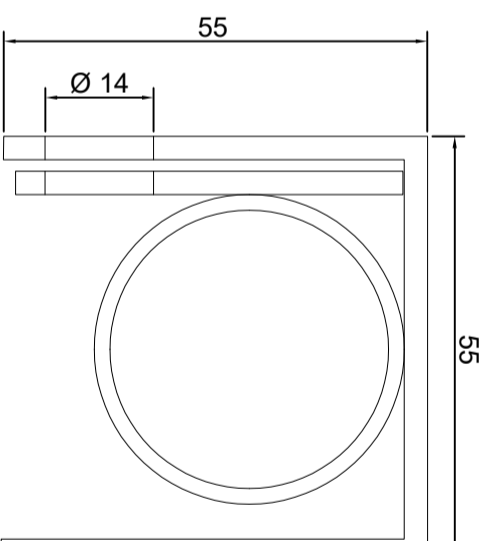
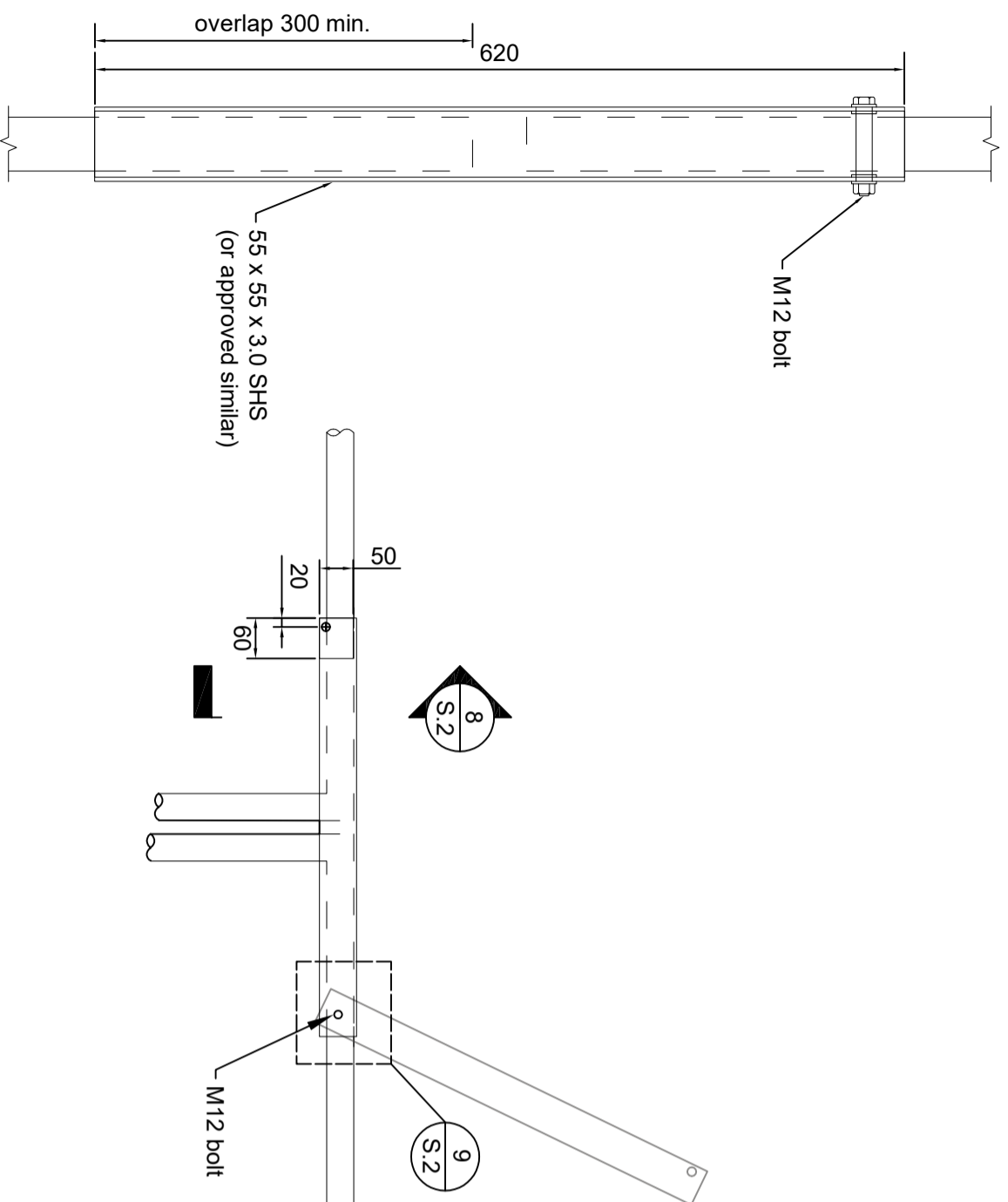


5 Double Gate Elevation

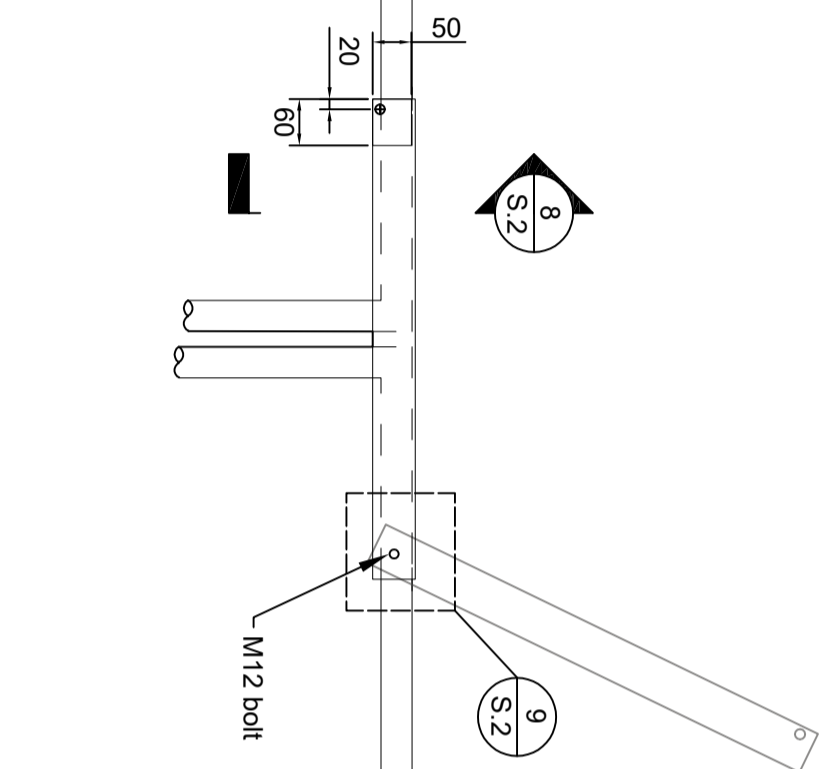
- NOTES**
1. Read notes on all sheets together with specifications and notify engineer immediately of any discrepancies.
 2. All dimensions in mm.
 3. Structural steel grade 300.
 4. All welded connections shall be of GP grade metal arc and comply with AS1554: Part 1.
 5. Butt welds shall be full penetration, using backing plates as required.
 6. Welding of hollow sections shall incorporate internal sections or backing plates as necessary to complete the specified weld.
 7. All fillet welds to be as shown, else 6mm or thickness of element if smaller. Welds are all-round to avoid moisture trap.
 8. All structural steel elements shall be hot dipped galvanised to AS/NZS 4680.
 9. All bolts/threaded rods hot-dip galvanised.
 10. All pipe elements are 40mm medium walled schedule 40 steel pipe, unless specified different.
 11. Maximum distance between gate post centers is 4000mm.
 12. post caps to be provided by contractor.
 13. Drill Padlock holes after gate and latch assembly, to ensure alignment.



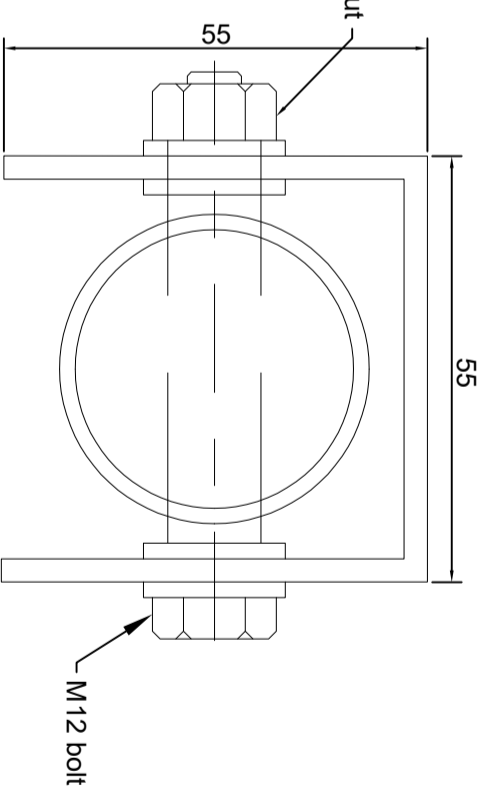
8 Gate Latch Padlock



6 Gate Latch



7 Gate latch Detail



9 Gate Latch Hinge

0	Construction Issue	A Mopphet	29/1/19
Rev	Description	Approved	Date
 <p>Waikato REGIONAL COUNCIL <i>Te Kaunihera ā Rohe o Waikato</i></p>			
<p>Standard Drawings Weedscreen Safety Gate Span over 4m</p>			
Date:	29 November 2019	Drawn:	A McCaughan
Drawing Number:	WRC-1688	Checked:	M Farrell
Scale:	As indicated	REV	0

Scale: As indicated @ A3