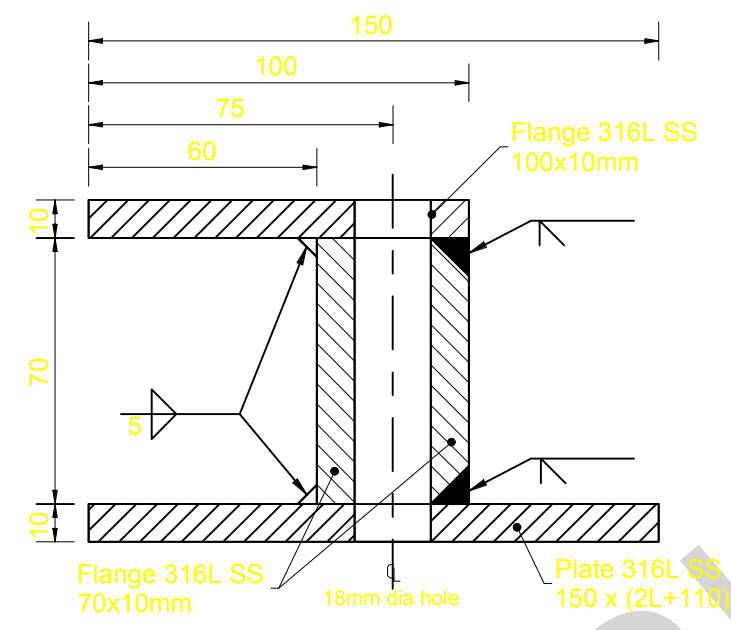
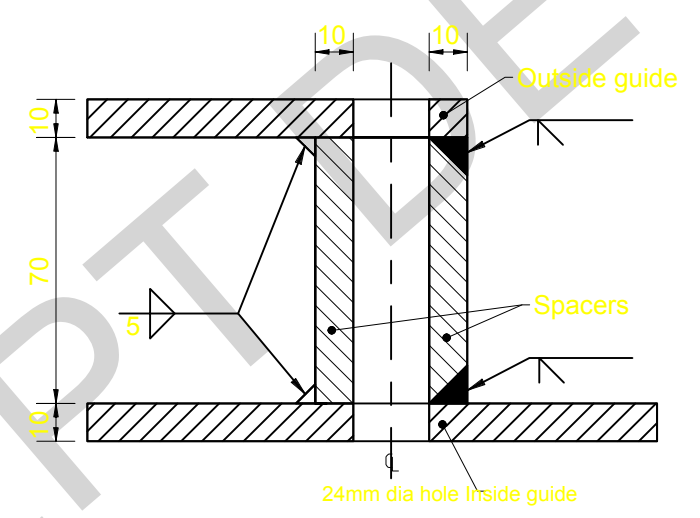


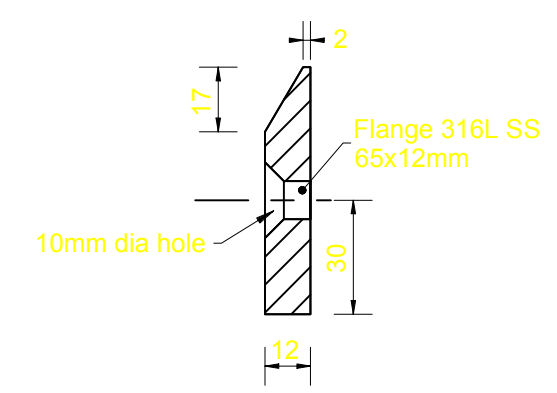
8 Front Elevation Sluiceway Side Frame
1:20



9 Section 1:2



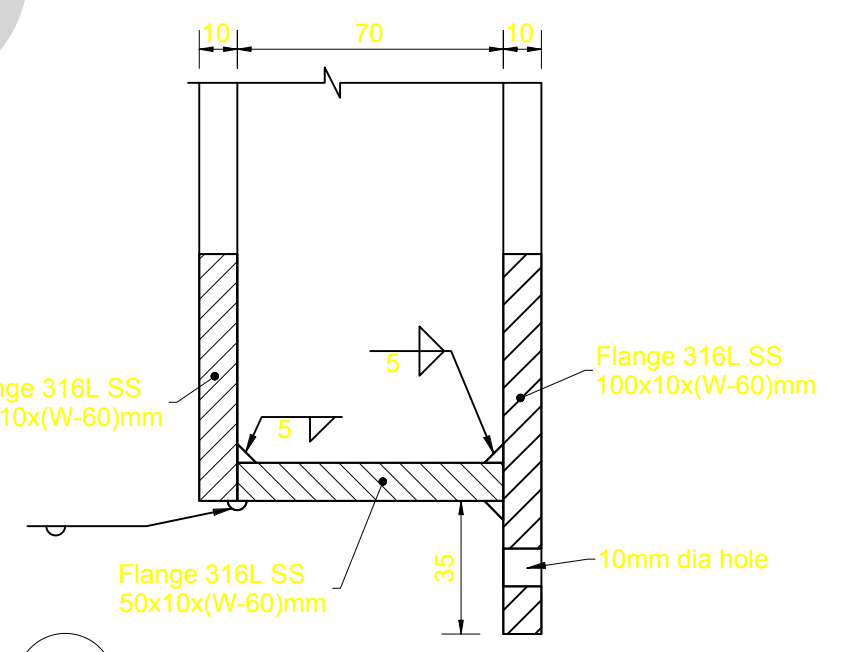
10 Section 1:2



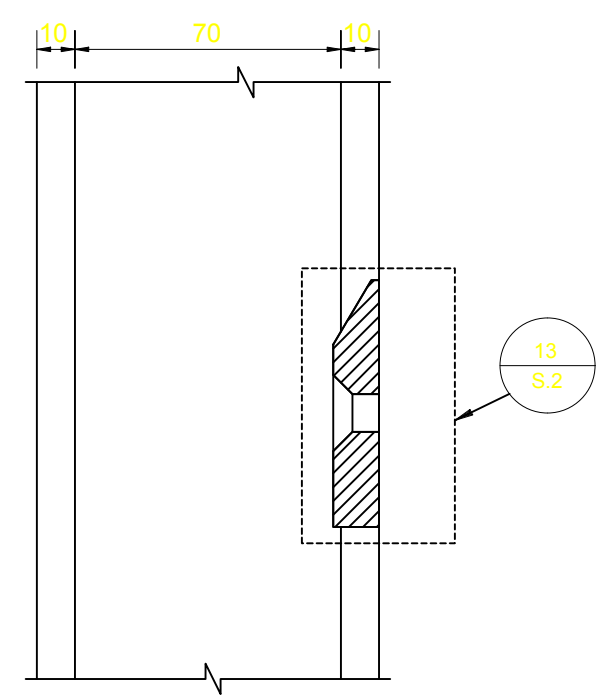
13 Detail 1:2

NOTES

- All dimensions are in millimetres unless otherwise shown.
- The gate frame is to be fabricated from 316L stainless steel.
- A suitable electrode for welding stainless steel is to be used. Prior to fabrication the contractor shall submit the name of the proposed electrode to the engineer for their approval. Adequate care shall be taken during fabrication to ensure that the slide frame is not distorted.
- Remove all burrs, sharp edges, weld slag and spatter after fabrication.
- Masonry Anchors
The following are to be supplied with the fabricated slideframe:
A) 14No. Chemset (or approved similar) ISO 350mm long, grade 316 stainless steel studs plus nuts and washers to suit.
B) 14No. T16175 SS 'Trubolts'
C) 10No. T12070 SS 'Trubolts'
D) 10No. D10074 SS 'Dynabolts'
"Anchors are to be 316 stainless steel"



12 Section 1:2



11 Section 1:2

0	Construction Issue	A Morphet	29/11/19
Rev	Description	Approved	Date



Concept Design Sluice Gate (Low Head)

Date:	29 November 2019	Drawn:	A McCaughan
Checked:	M Farrell	REV	0
Drawing Number:	WRC-1694	S.2	
Scale:	As indicated		@ A3