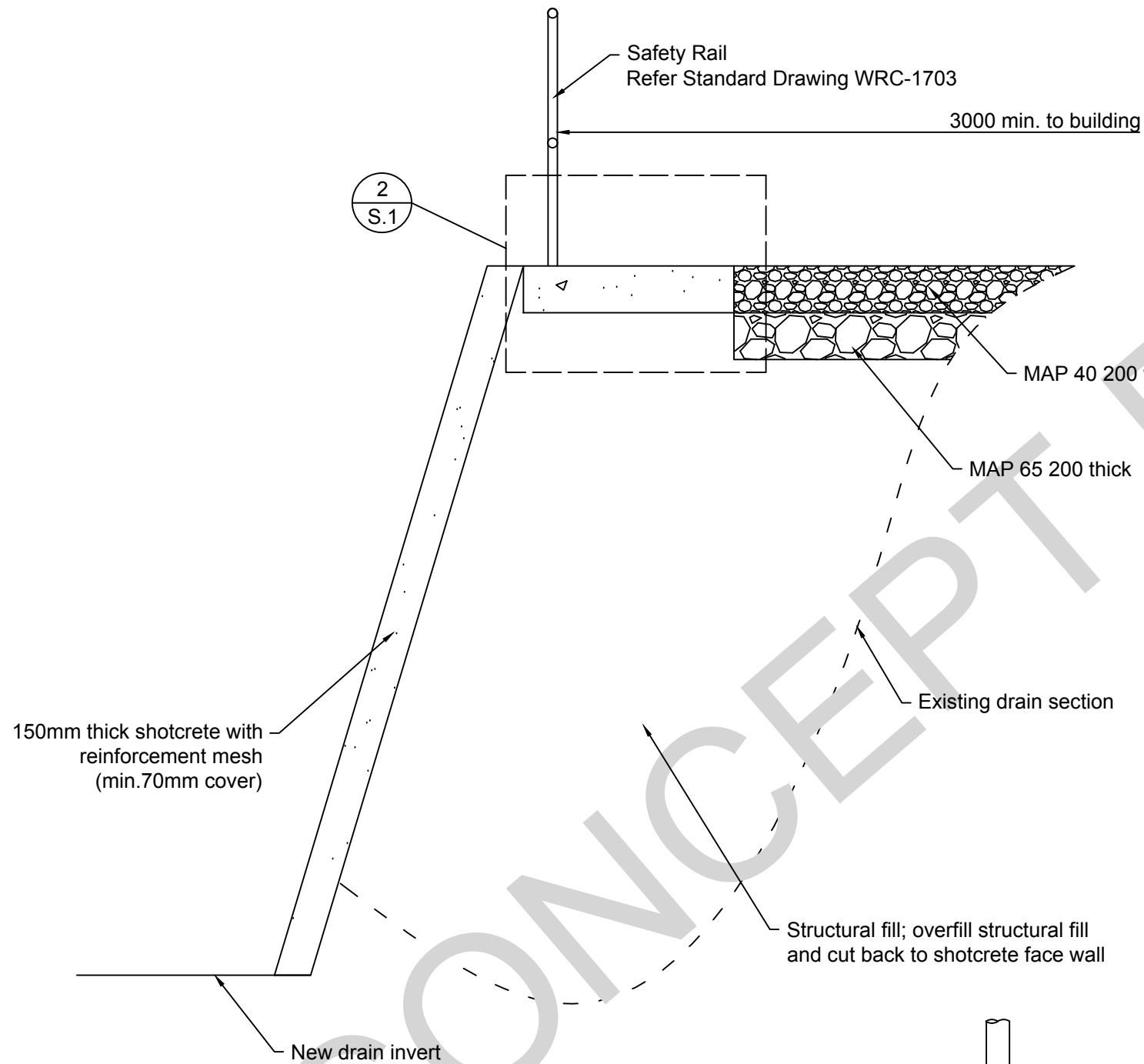
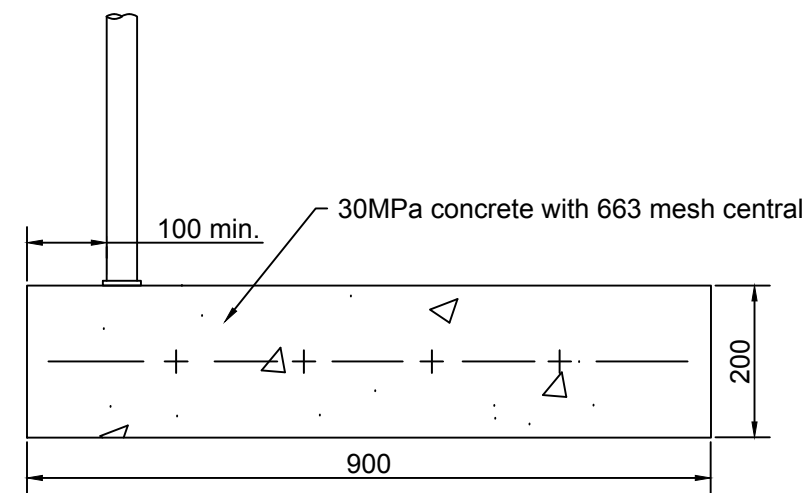


NOTES:

1. Read notes on all sheets together with specifications and notify engineer immediately of any discrepancies.
2. All dimensions in mm.



1 Inlet Structure Section



2 Concrete Edge Detail

0	Construction Issue	A Morphet	29/11/19
Rev	Description	Approved	Date



Concept Design

Inlet Structure

Date. 29 November 2019	Drawn. A McCaughan	Checked. M Farrell	REV 0
Drawing Number WRC-1701	S.1		
Scale. As indicated	@ A3		