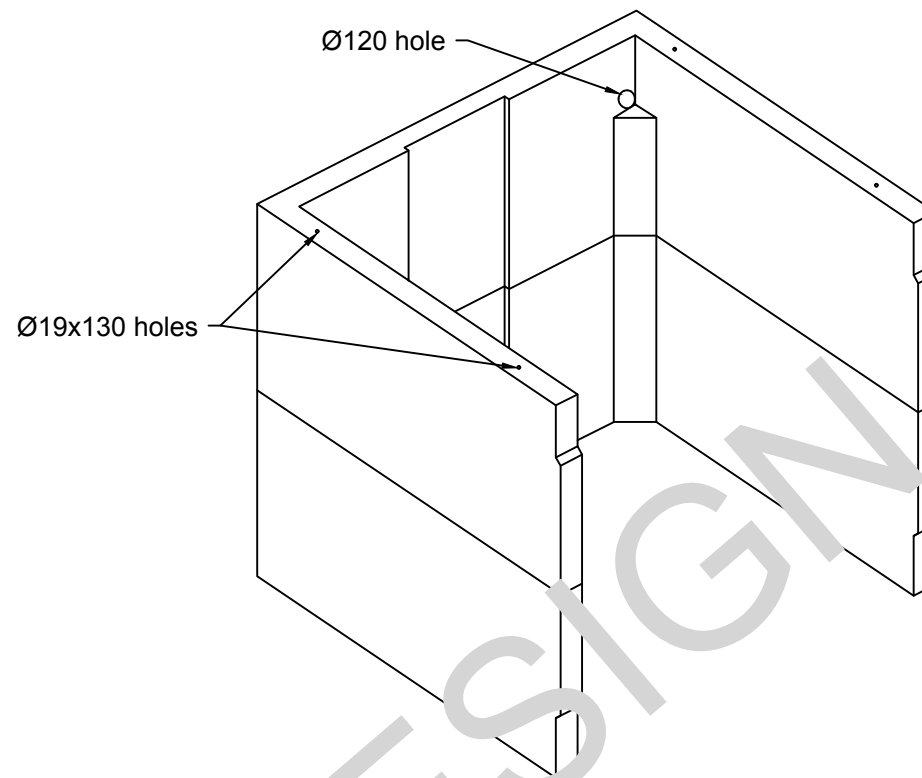
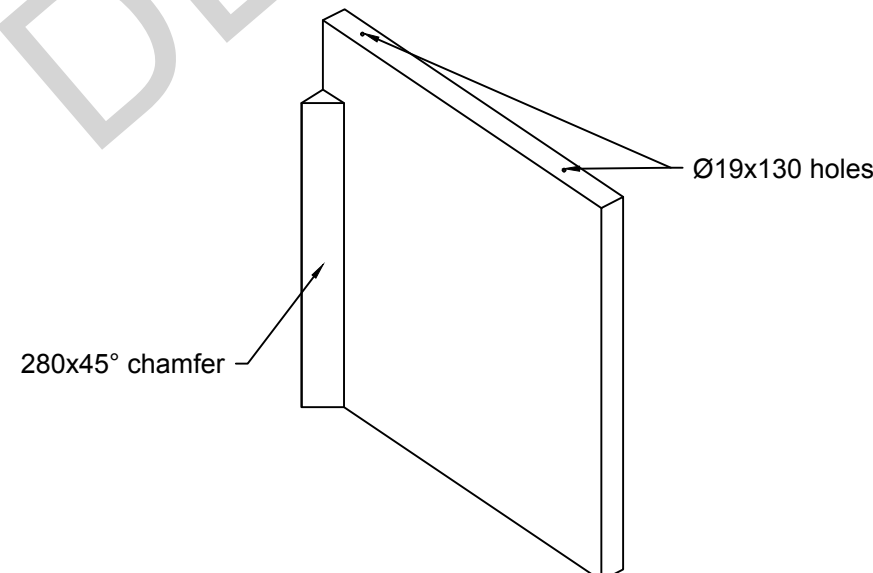


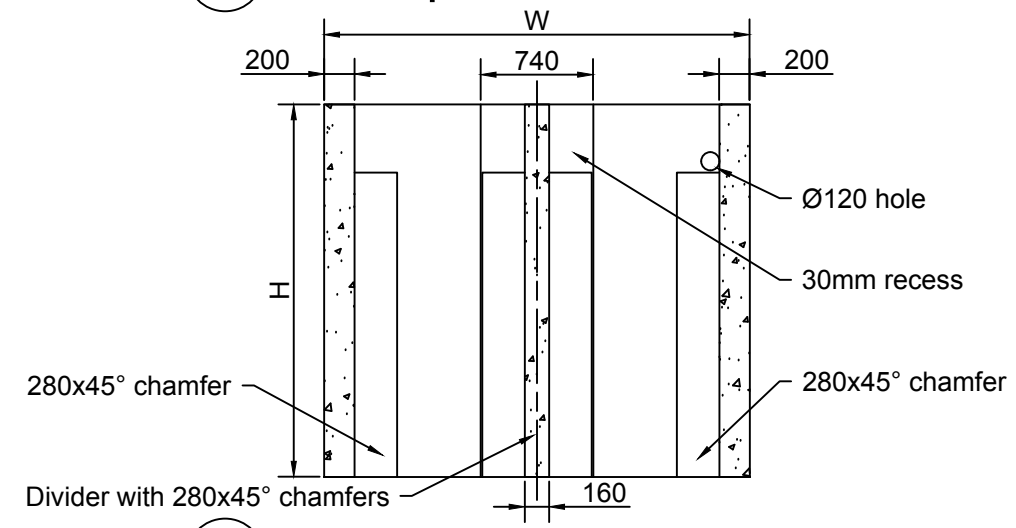
1 Pre-Cast Unit Assembly



2 Pump Well Units



3 Pump Well Divider



4 Section

- NOTES:
1. Read notes on all sheets together with specifications and notify engineer of any discrepancies.
  2. All dimensions are in millimeters unless specified otherwise.
  3. All pre-cast elements to the specification of the manufacturer.
  4. Box and U-Culvert dimensions (W,H and L) to be determines on-site and based on nearest Humes (or approved equivalent) pre-cast unit dimensions.
  5. Designed with HN-HO-72 loading (as per manufacture specifications)
  6. For spans (ie. W) over 6.5m, or where site access is restricted, hollowccore slabs may be required.

0	Construction Issue	A Morphet	29/11/19
Rev	Description	Approved	Date



Concept Design  
 Pump Sump, Stoplog  
 Slots & Inlet Platform

Date. 29 November 2019	Drawn. A McCaughan
	Checked. M Farrell

Drawing Number WRC-1702	S.1	REV 0
----------------------------	-----	----------

Scale. As indicated @ A3