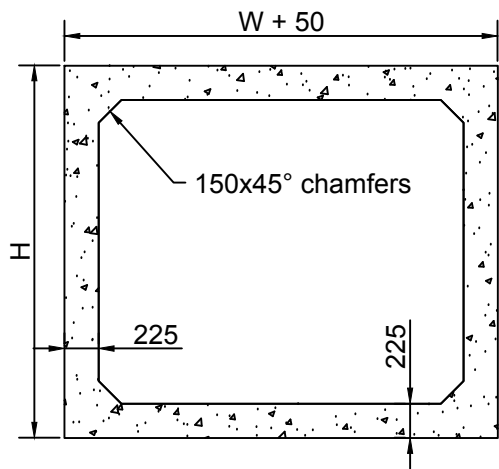
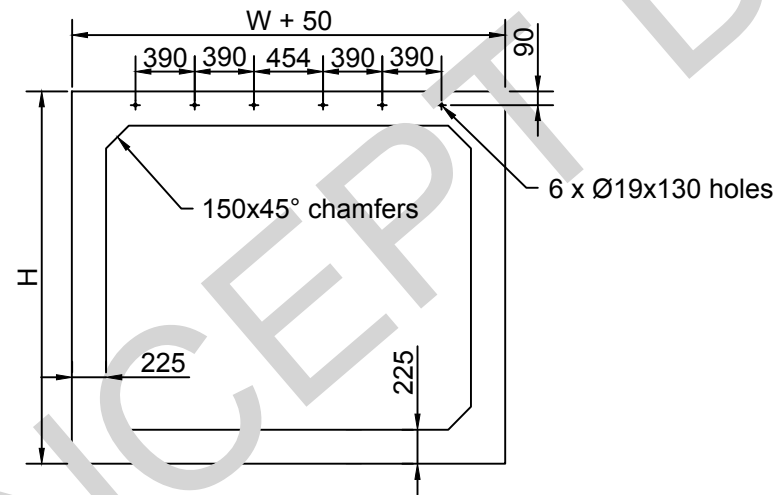


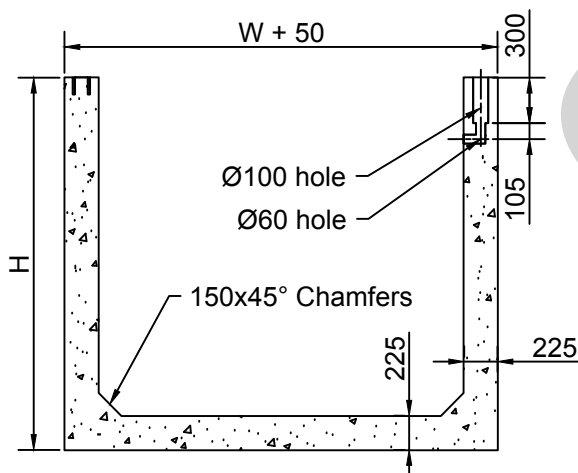
5 Culvert Layout



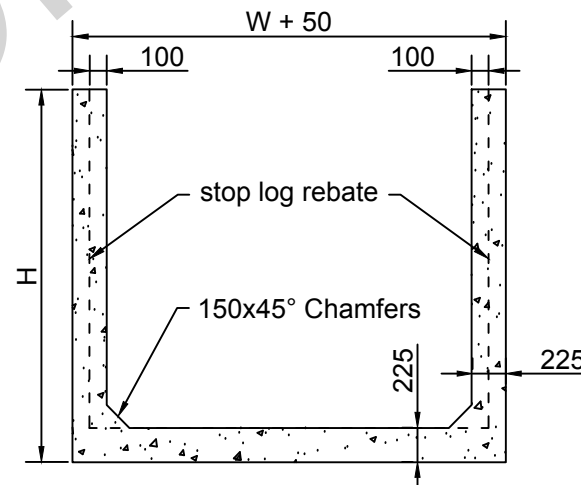
6 Rear Box



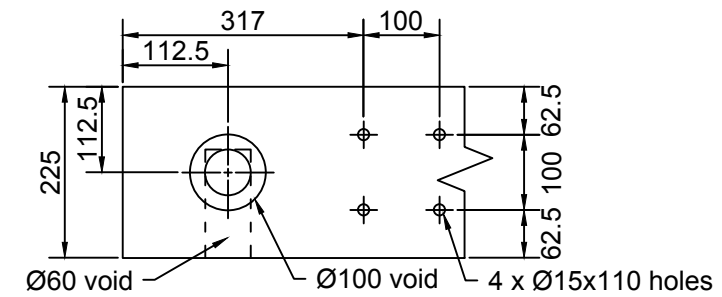
7 Front Box



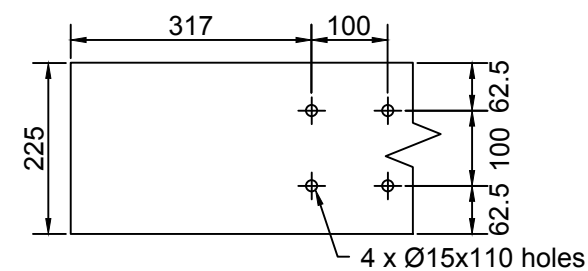
8 U-Culvert 1



9 U-Culvert 2



10 U-Culvert 1 - Detail 1



11 U-Culvert 1 - Detail 2

NOTES:

1. Read notes on all sheets together with specifications and notify engineer of any discrepancies.
2. All dimensions are in millimeters unless specified otherwise.
3. All pre-cast elements to the specification of the manufacturer.
4. Box and U-Culvert dimensions (W,H and L) to be determined on-site and based on nearest Humes (or approved equivalent) pre-cast unit dimensions.
5. Designed with HN-HO-72 loading (as per manufacture specifications)
6. For spans (ie. W) over 6.5m, or where site access is restricted, hollowcore slabs may be required.

0	Construction Issue	A Morphet	29/11/19
Rev	Description	Approved	Date



Concept Design
Pump Sump, Stoplog
Slots & Inlet Platform

Date. 29 November 2019	Drawn. A McCaughan
Checked. M Farrell	
Drawing Number WRC-1702	REV S.2
Scale. As indicated	@ A3