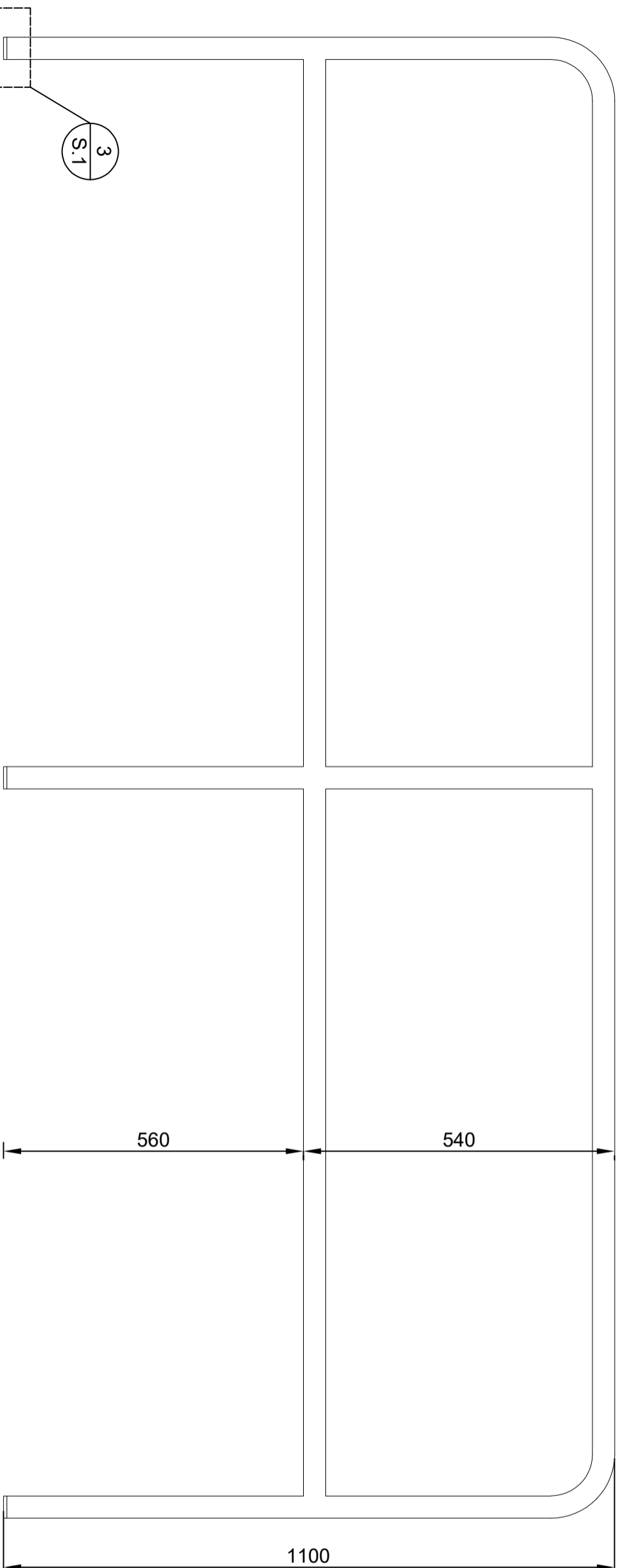
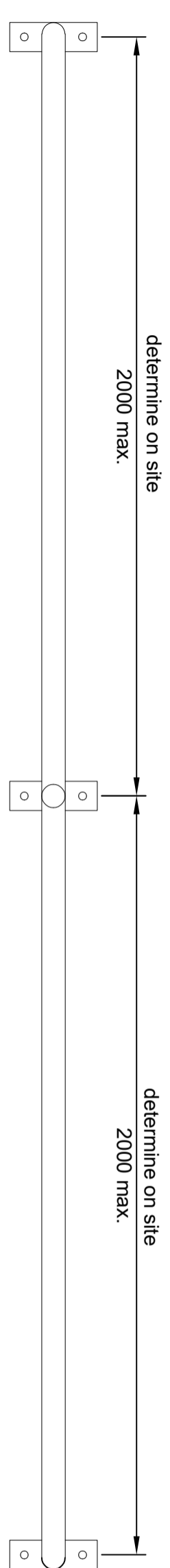


NOTES

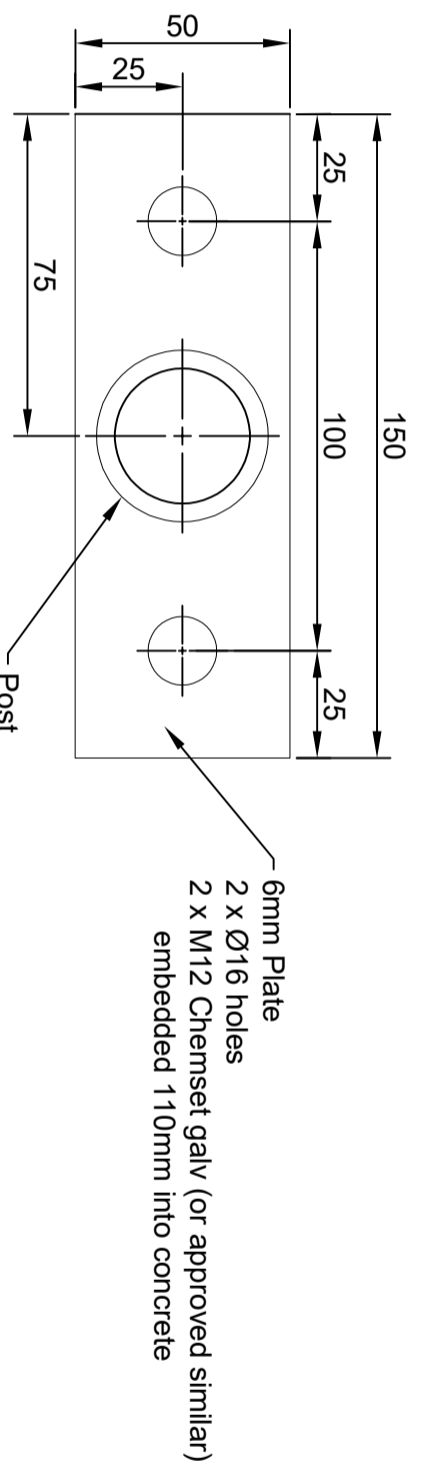
1. Read notes on all sheets together with specification and notify engineer immediately of any discrepancies.
2. structural steel grade 300.
3. All welded connections shall be of GP grade metal arc and comply with AS 1554:Part 1.
4. But welds shall be full penetration, using backing plates as required.
5. welding of hollow sections shall incorporate internal sections or backing plates as necessary to complete the specified weld.
6. All fillet welds to be as shown, else 6mm, or thickness of material of smaller.
8. All structural steel elements shall be hot dipped galvanised to AS/NZS 4680.
9. All bolts/threaded rods hot-dip galvanised.
10. All pipe elements are 40mm medium walled schedule 40 steel pipe, unless specified different.



1 Handrail Elevation



2 Handrail Plan



3 Handrail Baseplate

0	Construction Issue	A Morphet	29/11/19
Rev	Description	Approved	Date

Waikato
REGIONAL COUNCIL
Tē Kaurihera ā Rohe o Waikato

Standard Drawings

Handrails

Drawn	A McCaughan
Checked	M Farrell
29 November 2019	
Drawing Number	REV
WRC-1703	0
Scale	
As indicated	@ A3